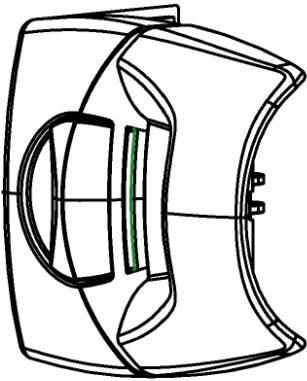




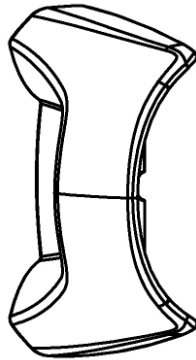
Frigonautica

Il freddo a misura di mare

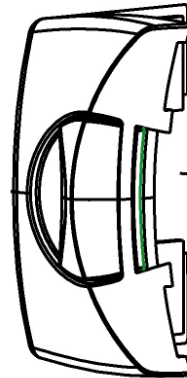
INSTRUCTIONS FOR REMOVAL OF OLD MODEL HANDLE



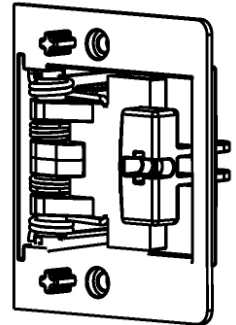
OLD MODEL HANDLE



GRIP

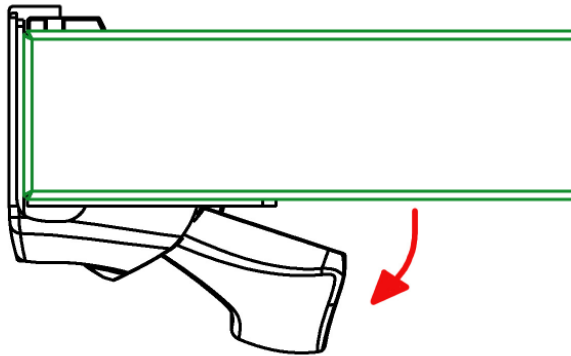


PART 1

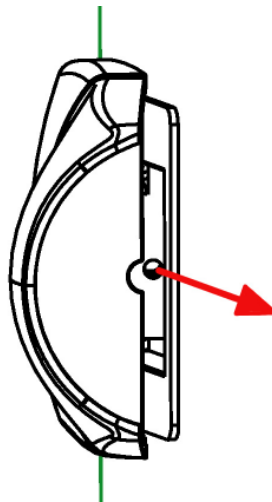


PART 2

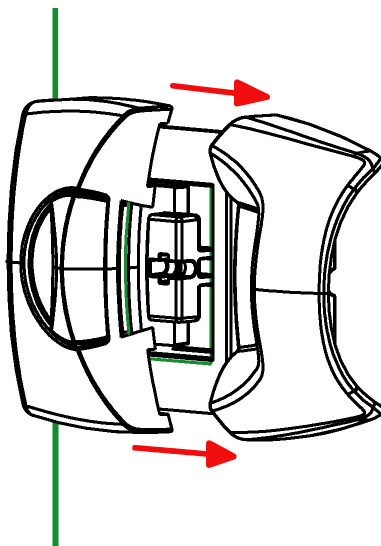
1. Turn the handle's grip to external.



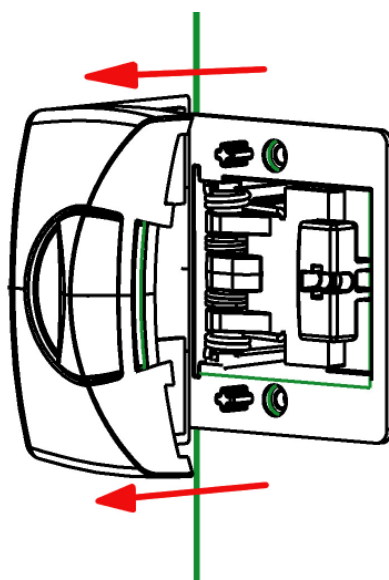
2. Unscrew the screw located under the grip.



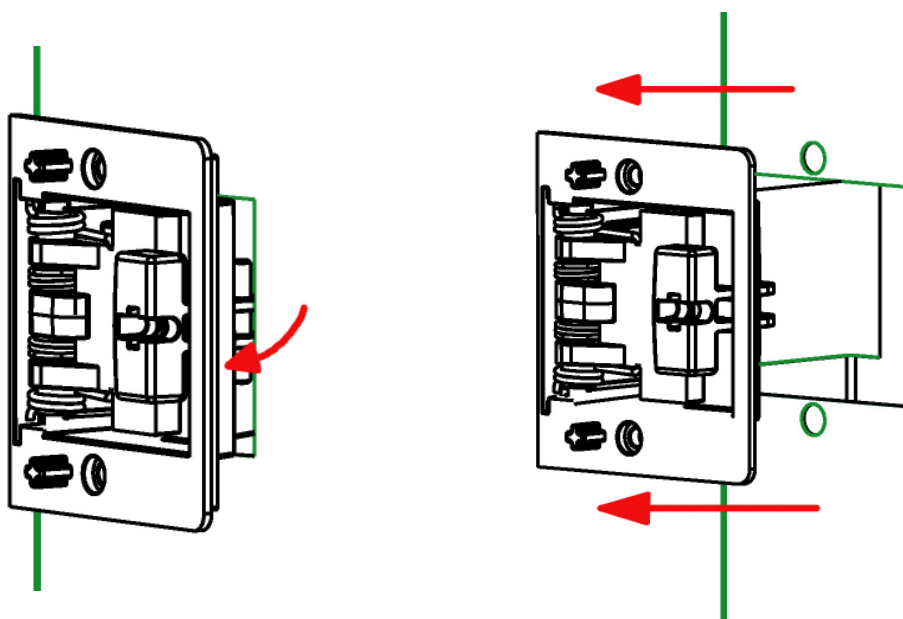
3. Extract the handle's grip as showed by the arrows.



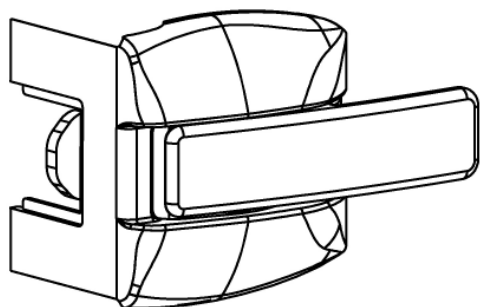
4. Turn up the part 1 and extract it.



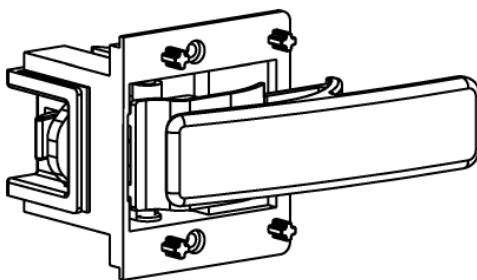
5. Remove the 2 screws which block the part 2, turn it slightly and remove it as showed by the arrows.



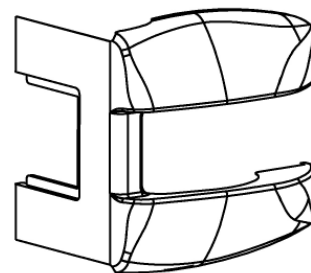
INSTRUCTIONS FOR THE INSTALLATION OF NEW MODEL HANDLE



NEW MODEL HANDLE



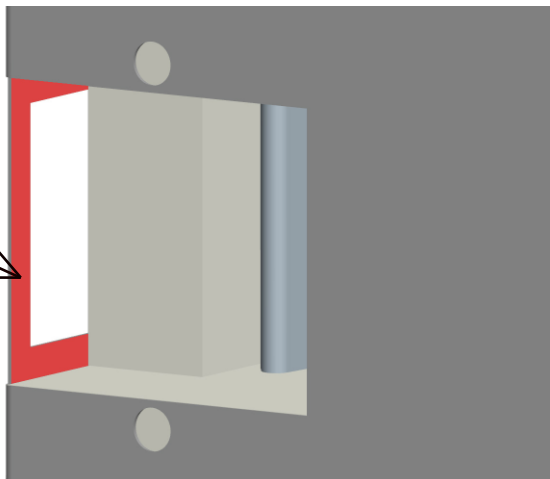
GRIP PART



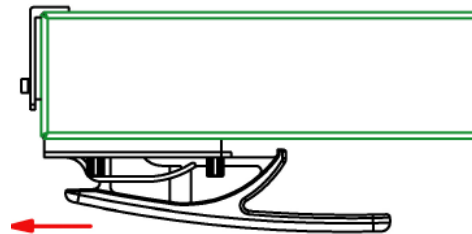
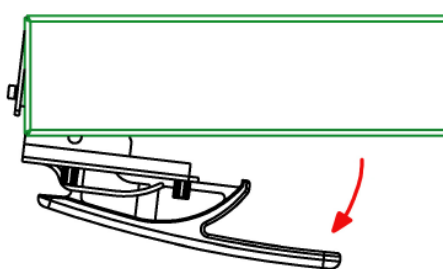
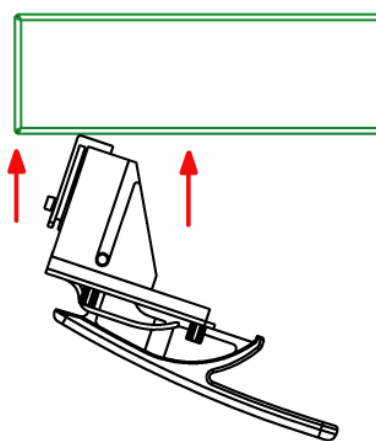
COVERING PART

1. Clean carefully the part of door indicated on picture.

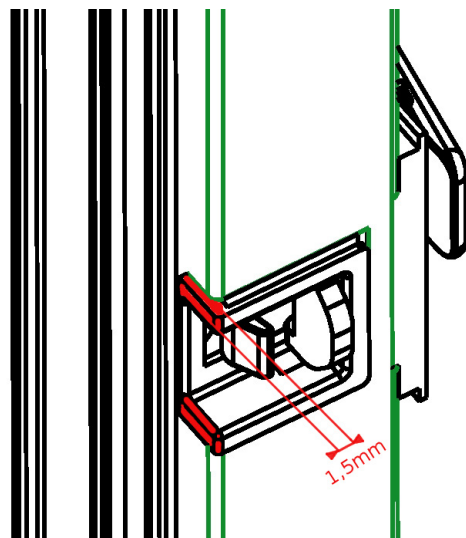
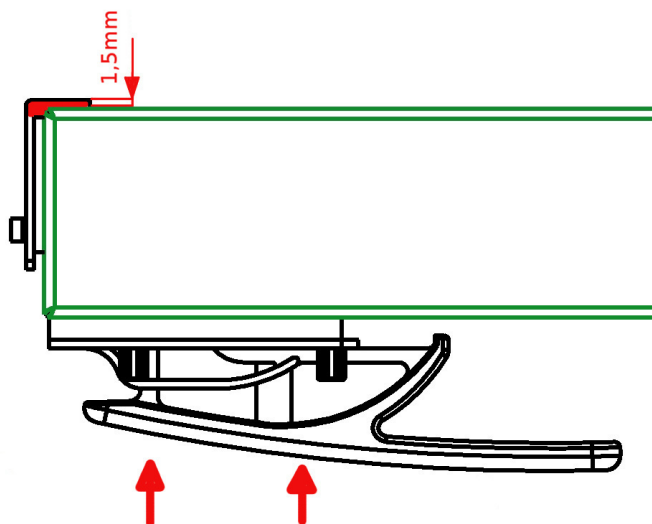
Parts to be cleaned



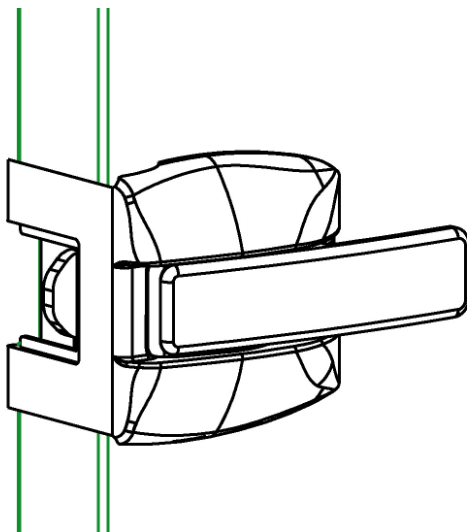
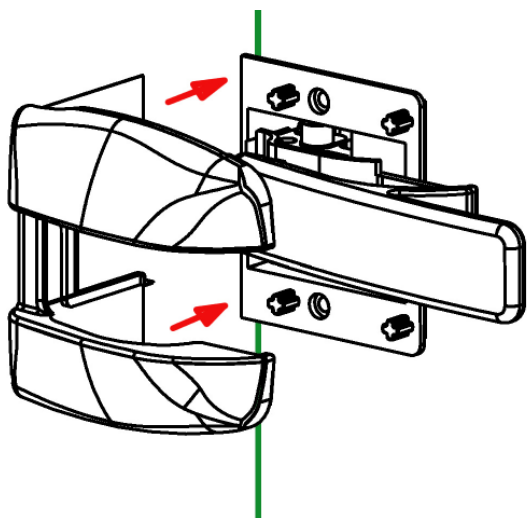
2. Pug in the grip block tilt it slightly as showed in the picture.



3. Push the grip part to left and than to the door, the plastic part shoed on picture must protrude of some millimetres.



4. Screw the 2 frontal screws to block the grip part and pug in the covering part on the relevant joints.



Frigonautica
Via Confin n° 64
30020 Torre di Mosto - (VE) ITALY
T. 0039.0421.325214 F.
0039.0421.325343
info@frignonautica.it
www.frigonautica.it