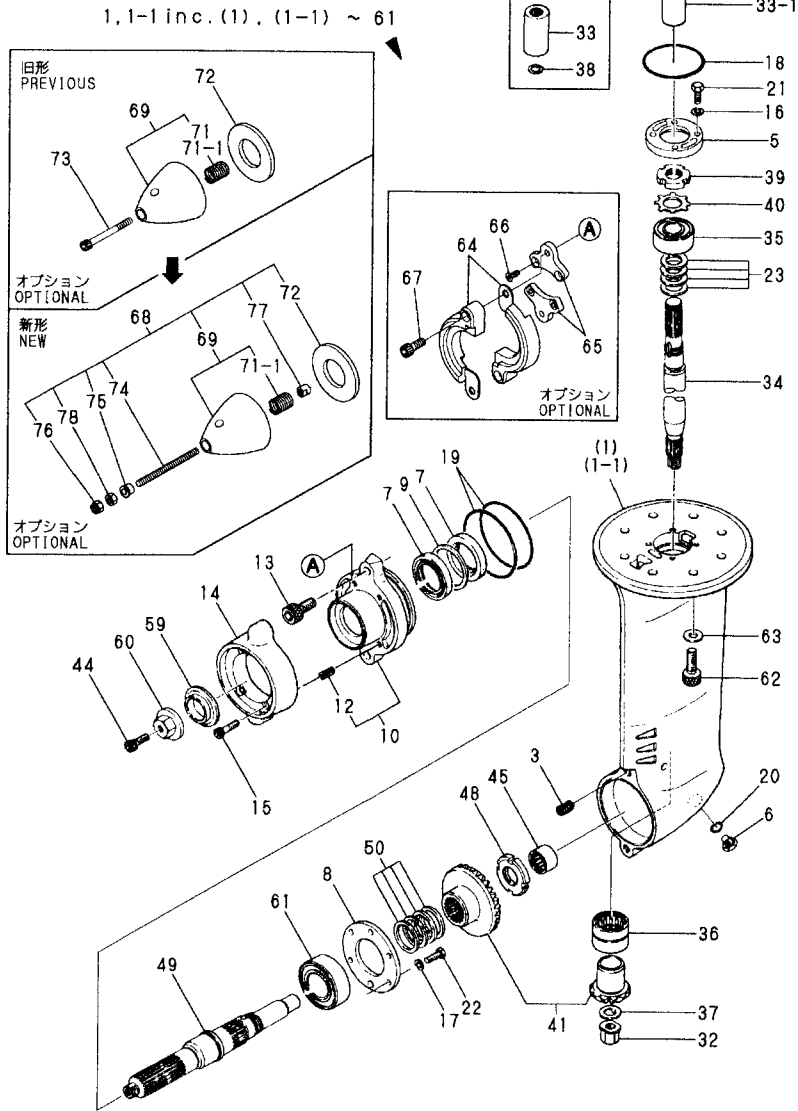


Fig.3. LOWER GEAR HOUSING

P/C NEWS No:Y00F6930-2
PUBLISHED:2006/11



Remarks
(1)FOR NO.33

OCF10-G59300 3. LOWER GEAR HOUSING

(A)=SD20A-S
(B)=SD20B-S
(C)=SD20C-S

(D)=
(E)=
(F)=

REF.	LEV.	PARTS NO.	DESCRIPTION	Q'TY						I	R
				(A)	(B)	(C)	(D)	(E)	(F)		
I	67	(A=E/#09307) (B=*2003.06) (C=*2003.06) 26453-080202	BOLT M 8X 20	2	2	2					W
I	68	(A=*2005.09) (B=*2005.09) (C=*2005.09) 796420-09200	PROP NUT ASY, SPARE	1	1	1					W
I	69	(A=E/XXX) (B=E/XXX) (C=E/XXX) 196420-09200	NUT ASSY, PROPELLER	1	1	1					W
I	71	(A=E/XXX) (B=E/XXX) (C=E/XXX) 26273-160201	INSERT 16X2D	1	1	1					W
I	71-1	(A=*2004.03) (B=*2004.03) (C=*2004.03) 26273-160151	INSERT	1	1	1					N
I	72	(A=E/XXX) (B=E/XXX) (C=E/XXX) 196420-09220	WASHER, PROPELLER	1	1	1					W
I	73	(A=E/XXX) (B=E/XXX) (C=E/XXX) 26453-080752	BOLT M 8X 75	1	1	1					W
I	73-1	(A=E/#09539) (B=*2003.07) (C=*2003.07) 196440-09260	BOLT M8X75	1	1	1					N
I	73-2	(A=*2004.11) (B=*2004.11) (C=*2004.11) 196440-09260	BOLT M8X75	1	1	1					Z
I	74	(A=*2004.11) (B=*2004.11) (C=*2004.11) 196440-09150	BOLT M8X105	1	1	1					W
I	75	(A=*2004.11) (B=*2004.11) (C=*2004.11) 196440-09160	SPACER	1	1	1					W
I	76	(A=*2004.11) (B=*2004.11) (C=*2004.11) 196440-09170	NYLON NUT	1	1	1					W
I	77	(A=*2004.11) (B=*2004.11) (C=*2004.11) 196440-09180	NUT M8	1	1	1					W
I	78	(A=*2004.11) (B=*2004.11) (C=*2004.11) 26793-080002	LOCK NUT M 8	1	1	1					W