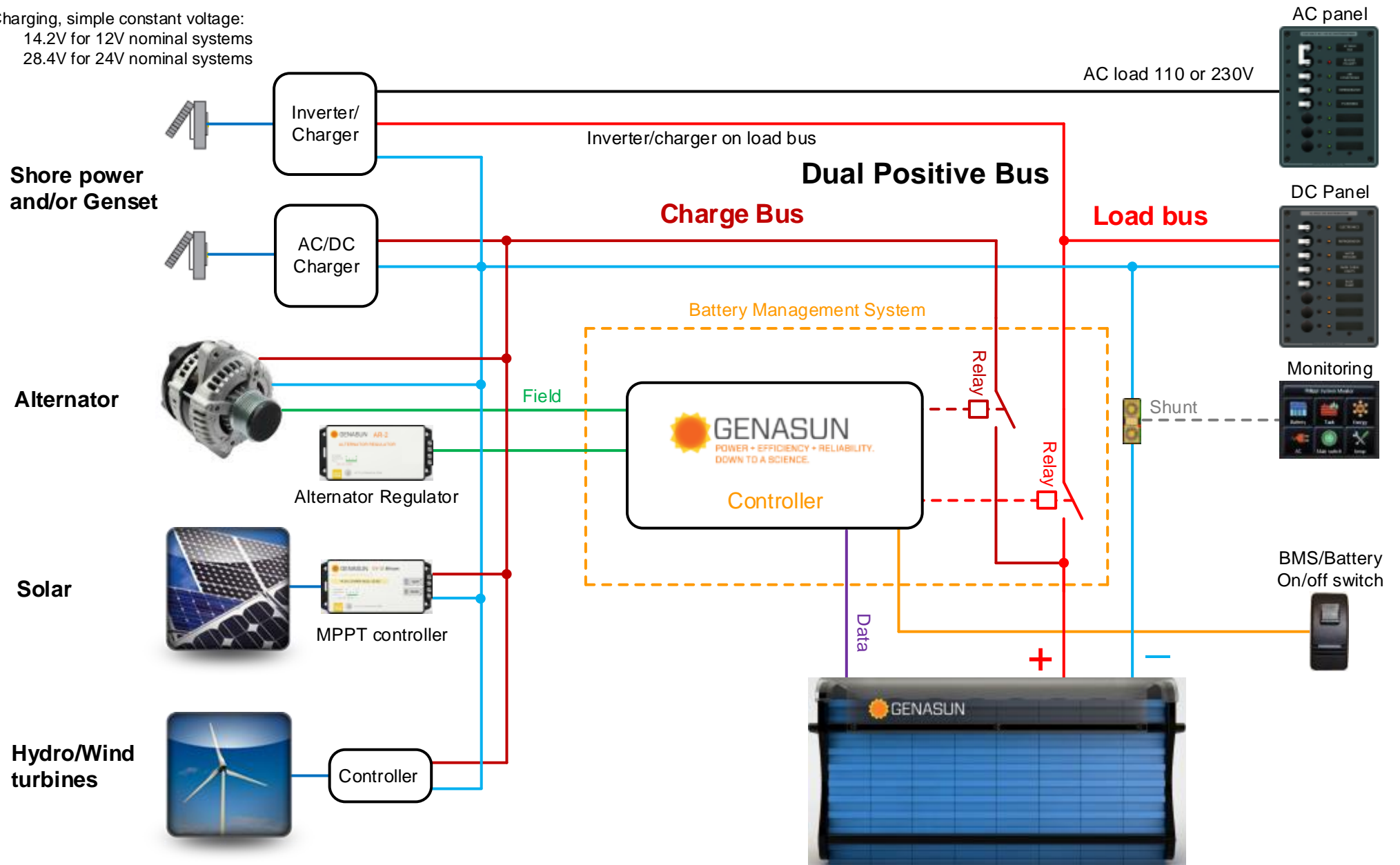


- Charging, simple constant voltage:
- 14.2V for 12V nominal systems
 - 28.4V for 24V nominal systems



One bank, one controller 12 or 24V

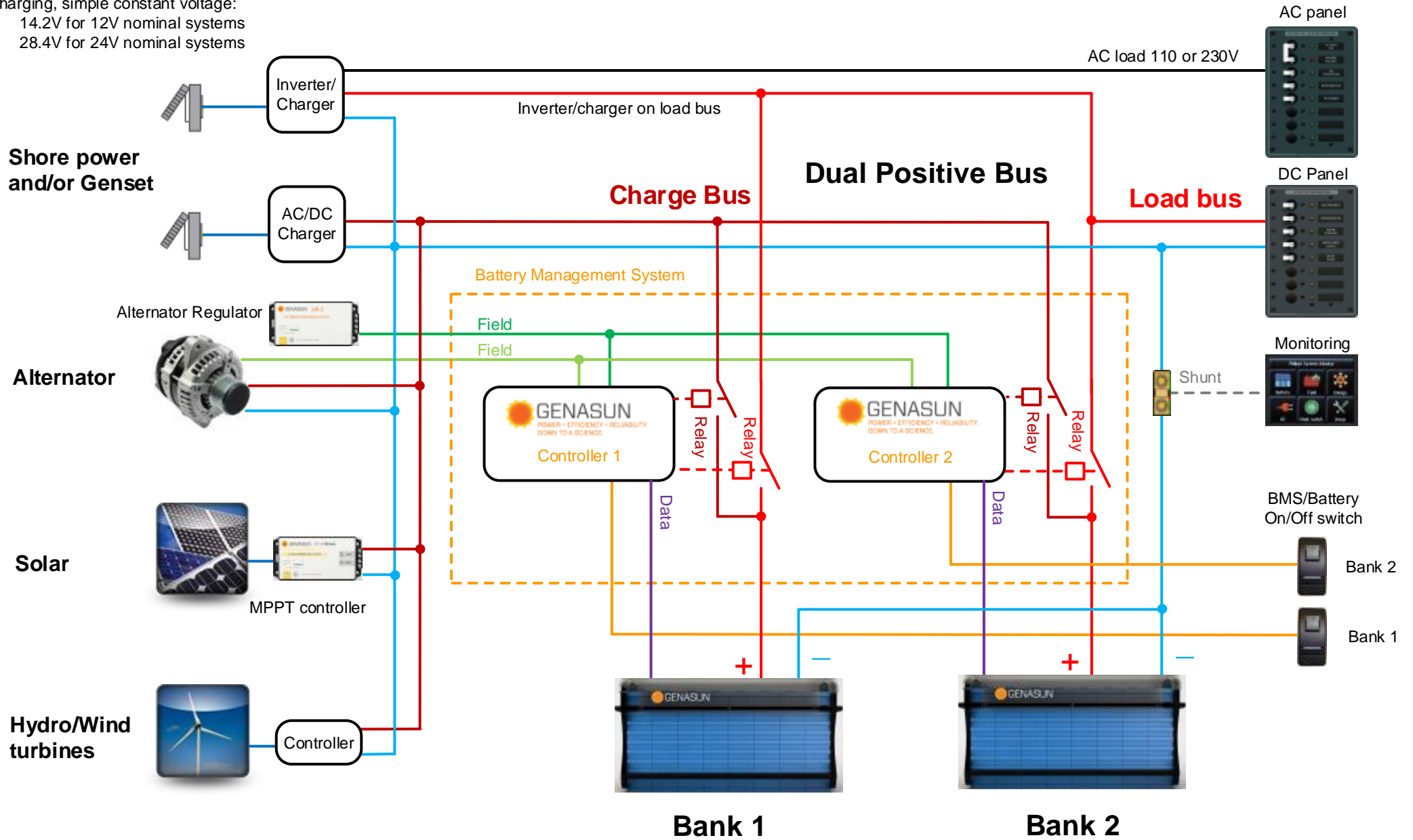
Architecture

April 26th 2013

Version 1.05



- Charging, simple constant voltage:
- 14.2V for 12V nominal systems
 - 28.4V for 24V nominal systems



Dual bank, dual controller 12 or 24V

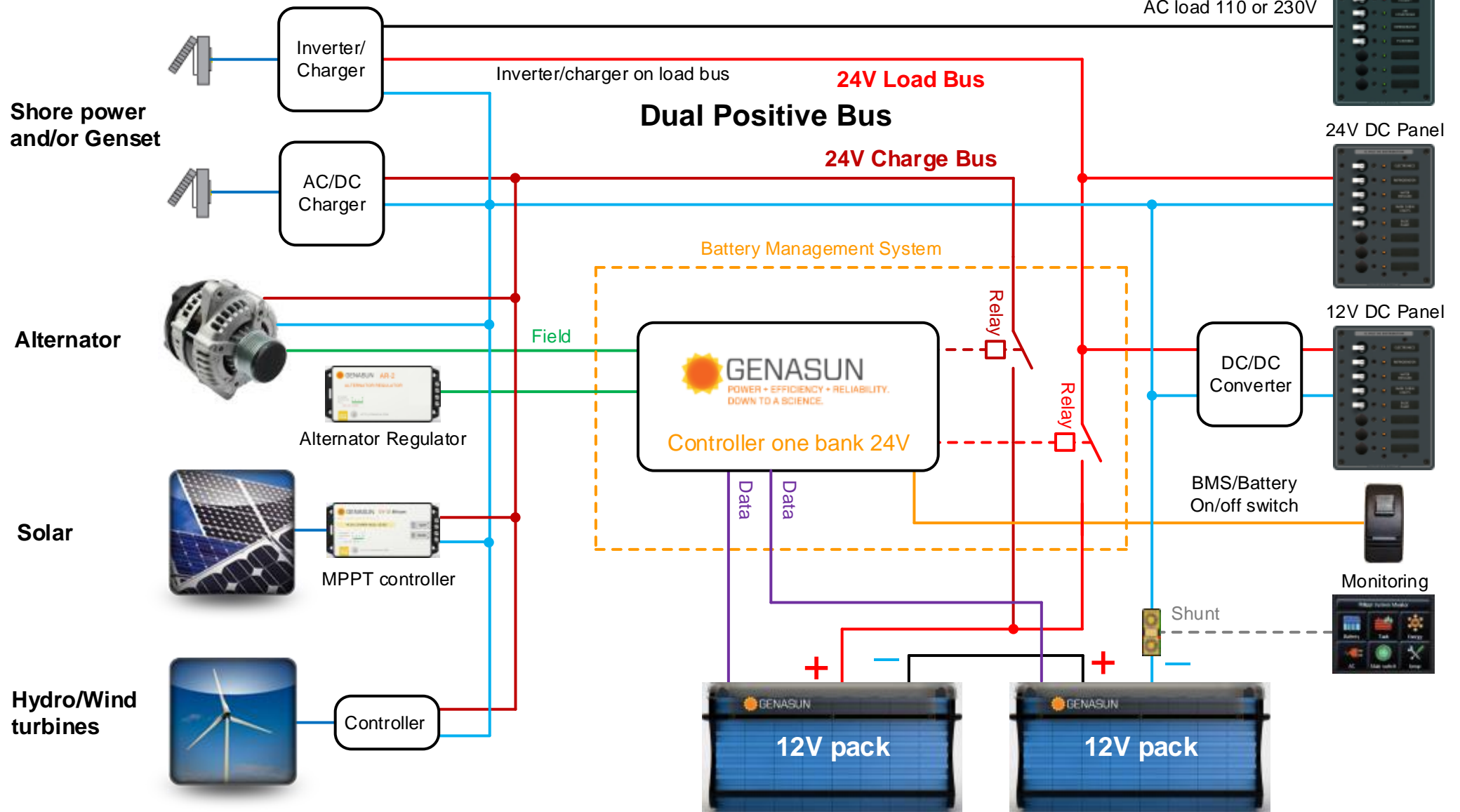
Architecture

April 26th, 2013

Version 1.01



Charging, simple constant voltage
28.4V for 24V nominal systems.



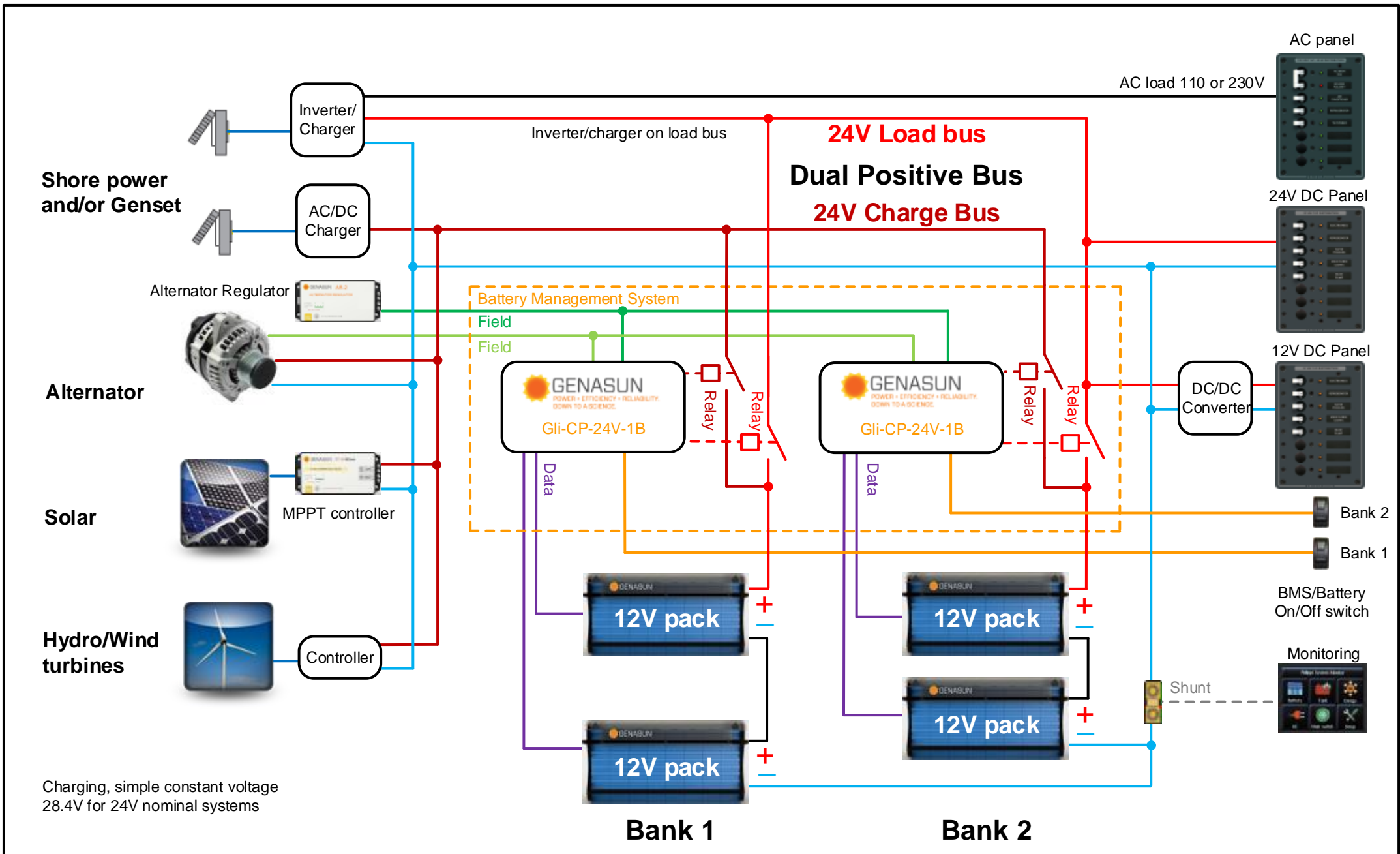
One bank, two packs series, one controller 24V

Architecture

April 29th 2013

Draft 0.01





Dual bank, dual pack series per bank, dual controller 24V



Architecture

April 26th, 2013

Draft 0.01